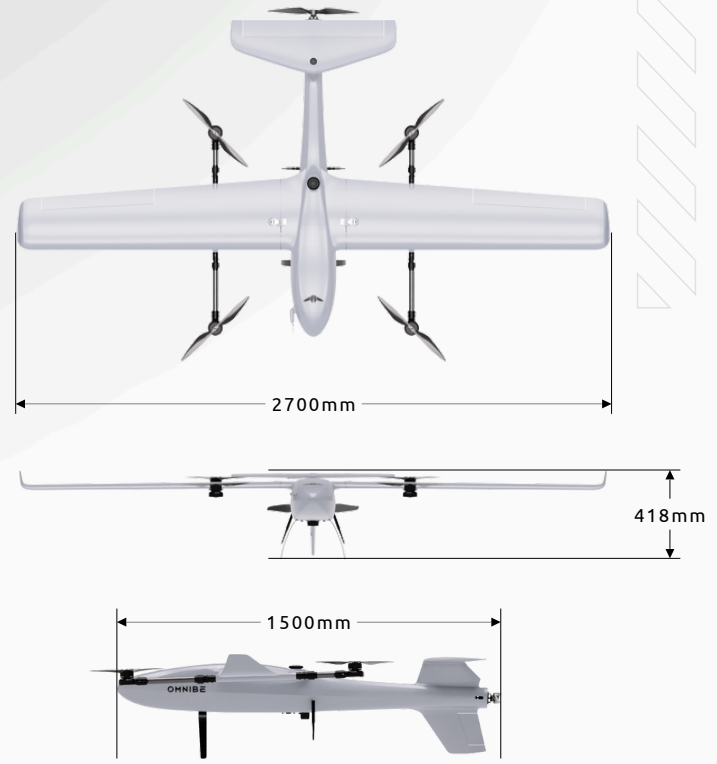


OMNIBE is designed for versatile and efficient remote sensing missions. Equipped with a range of system options, it offers high-performance specifications while ensuring ease of operation, even in challenging environments.

SPECIFICATIONS

Configuration	Electric Quadplane VTOL
Material	Fiber Composite
Wingspan	2700 mm
Length	1500 mm
MTOW	13.5 kg
Max. Payload Weight	2 kg
Max. Flight Time	Up to 2.5 hours
Max. Speed	30 m/s
Optimal Cruise Speed	18 m/s
Stall Speed	16 m/s
Max. Ceiling	5000 m ASL
Battery	2X 6S 27000 mAh Semi-Solid State Li-Ion
Ingress Protection	Weather-resistant (equivalent to IP53)
Wind Tolerance	Hover Phase 10 m/s, Continuous (cruise) 14 m/s, Gusting (cruise) 18 m/s
Transmission Frequency	2.4 GHz / 5.8 GHz
Transmission Distance	10 km / 20 km / 40 km LOS



PAYLOAD OPTIONS *

RGB Mapping Camera	20MP / 24MP / 42MP / 61MP
Multispectral Camera	RedEdge P
EO/IR Surveillance Camera	2MP 40x Optical Zoom EO + 640x512 IR + 3000m LRF + AI Object Tracking Gimbal Camera
	8MP 20x Optical Zoom EO + 640x512 IR + 3000m LRF + AI Object Tracking Gimbal Camera
LiDAR Sensor	CHCNAV AlphaAir 9
	CHCNAV AlphaAir 10

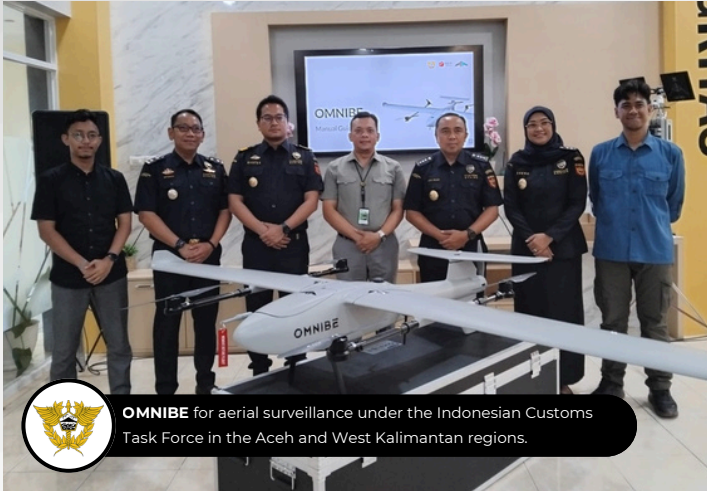
*Customized payload are available to suit mission requirements.



UNMANNED
AIRCRAFT
SOLUTIONS

OMNIBE

OMNIBE APPLICATIONS



OMNIBE for aerial surveillance under the Indonesian Customs Task Force in the Aceh and West Kalimantan regions.



OMNIBE for cattle monitoring in Australia.



OMNIBE for LiDAR mapping at the BLHK of the Ministry of Public Works and Housing (PUPR).

and many more...

WHY WORK WITH US?

INDONESIA'S LEADING DRONE MANUFACTURER WITH HIGHEST TKDN

OVER 9 YEARS DRONE MANUFACTURING EXPERIENCE

CONTINUOUS INNOVATION AND REGULATORY ENGAGEMENT

TRUSTED AND RECOGNIZED WITH VARIOUS NATIONAL AWARDS

RELIABLE TRAINING AND AFTER-SALES SUPPORTS

DEVELOPED AND MANUFACTURED IN INDONESIA, SUPPORT LOCAL INDUSTRIES

